

## Series TBS3000 & VTBS3000

Series TBS3000 fixed set point pressure switches and VTBS3000 fixed set point vacuum switches convert a pressure signal to an electrical output. In response to a change in pressure, movement of an elastomeric diaphragm opens or closes an electrical circuit based on a predetermined pressure set point. Fixed set point style switches are widely used where basic on/off switching is required. The non-adjustable fixed set point feature provides excellent tamper-proof protection. Several standard fixed set points are available ranging from 3/4 PSI to 2 1/2 PSI (5.17kPa to 17.24 kPa) on positive pressure and -0.8 PSI to -5 PSI (-5.51kPa to -34.47kPa) on negative pressure. Series TBS3000 and VTBS3000 switches provide control stability through wide variable temperature and humidity conditions and assure uninterrupted service under extreme shock and vibration. As with all Tecmark® products, these switches provide superior performance and 100,000 cycle life under full mechanical, electrical and thermal loads.

### TYPICAL APPLICATIONS

Commonly used as an interlock device to sense air or water pressure at a specific set point. Series TBS3000 and VTBS3000 provide on/off control of a variety of electrical devices including electric heaters and pumps in fluid flow systems as well as other electrical equipment.

### BASIC CONSTRUCTION

- EPDM diaphragm material
- Factory set non-adjustable fixed set points
- Durable Thermoplastic Construction
- UL Recognized, Canadian and United States, as an operating, limit or safety control

### AVAILABLE FEATURES

- Fixed set point ranges as low as 3/4 PSI up to 2.5 PSI (5.17kPa to 17.24kPa) on positive pressure and fixed set point ranges as low as -0.8 up to -5 PSI on increasing or decreasing vacuum pressure (-5.51kPa to -34.47kPa)
- SPST or SPDT switching logic
- 1/4" male quick connects
- 1/8" NPT male pressure fitting
- Alternative diaphragm materials available

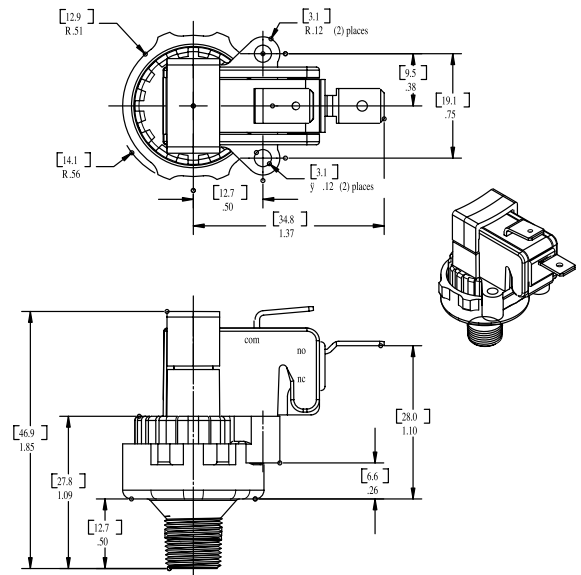
### RATINGS AND SPECIFICATIONS

- Maximum operating pressure: 30 PSI positive pressure and -6 PSI negative pressure
- Electrical ratings to 21 A resistive @ 125 VAC, 16 A @ 250 VAC
- Field tested critical components specifically selected to operate reliably in temperature extremes of 70° F to 160° F (21° C to 71° C)
- Pressure pod and diaphragm materials are rated to 266° F
- 100,000 + cycle life under full mechanical, electrical and thermal loads

### DESIGN FLEXIBILITY

Tecmark's manufacturing philosophy is unique. In an effort to provide you with a product that is most suited to your application, Series TBS fixed set point pressure and vacuum switches incorporate numerous interchangeable components for the ultimate design flexibility. This means a product tailored to your needs without the high price and long lead times associated with custom manufacturing. If you have a need and don't see the features you require, please ask!

#### TBS3000



#### VTBS3000

