

## Series M and MPT

Series M and Series MPT transmitters are an essential component in Tecmark's pneumatic switching technology, LectricAir®, which safely isolates the user from the electrical current. The Series M and Series MPT air transmitters provide the pulse air pressure needed to operate a remote air switch. The compact and efficient features of these transmitters are designed for hand actuation and can operate Tecmark® component switches from distances of up to 100 feet.

Superior quality construction makes Series M and Series MPT transmitters suitable for environments up to 200° F. Series M and Series MPT transmitters incorporate EPDM bellows material which is impervious to ozone and ideal for use around chemically treated water. Their mechanical life expectancy far exceeds industry acceptable standards. Series M and Series MPT transmitters feature interchangeable metal or plastic buttons & bezels and are available in a large variety of colors and finishes (consult factory).

### TYPICAL APPLICATIONS:

Series M and Series MPT transmitters provide the air pressure needed to activate remote air switches which turn a variety of electrical devices on/off including motors, lights, pumps, air blowers, or other associated equipment.

### BASIC CONSTRUCTION – SERIES M:

- Unique slim-line cylinder assembly with internal bellows
- Transmitter comes complete with gasket, locking nut, button and bezel
- Standard M Series mounts through materials from 1/16" to 1-5/8" thick
- Extended M Series mounts through materials from 1/16" to 2-1/2" thick
- Field tested critical components specifically selected to operate reliably in temperature extremes of 0° to 200° F
- 100,000+ cycle life under full mechanical and thermal loads
- EDPM bellows material
- Bottom accepts 1/2" PVC conduit
- Connector accepts 1/8" or 1/16" I.D. flexible plastic or rubber tubing

### AVAILABLE FEATURES – SERIES M:

- Interchangeable button and bezel kits in a large variety of colors and finishes
- Custom logo buttons
- Flat, Domed and Raised button styles available
- Cylinder assembly available separately
- Button and bezel kit sold separately

### BASIC CONSTRUCTION – SERIES MPT:

- Field tested critical components specifically selected to operate reliably in temperature extremes of -40° to 200° F (-40° C to 93° C)
- 100,000+ cycle life under full mechanical and thermal loads
- EDPM bellows material
- Mounting through materials from 1/16" to 5/8" thick
- Connector accepts 1/8" or 3/16" I.D. flexible plastic or rubber tubing
- Bottom accepts 1/2" PVC conduit
- Unique check valve eliminates pump down
- High impact thermoplastic construction

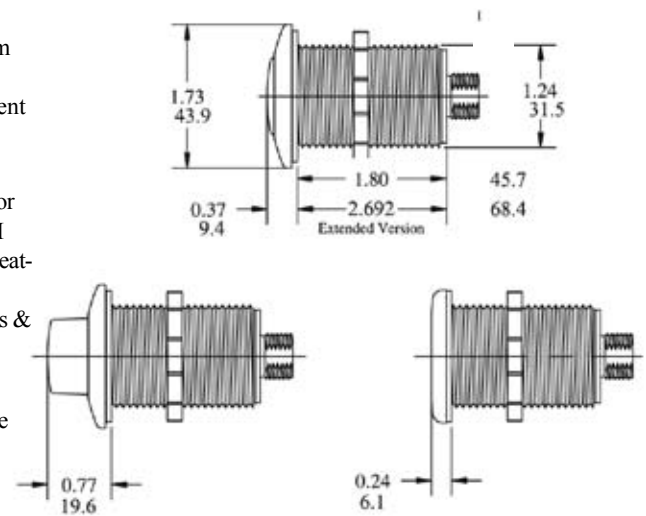
### AVAILABLE FEATURES – SERIES MPT:

- Auxiliary fitting accommodates direct venting of check valve system when used in foam insulated applications
- Cylinder assembly sold separately
- Button and bezel kit sold separately
- Extender kit is available that can accommodate mounting thickness up to 1-1/2"
- Interchangeable button and bezel kits in a large variety of colors and finishes

### DESIGN FLEXIBILITY:

Tecmark's manufacturing philosophy is unique. In an effort to provide you with a product that is most suited to your application, Tecmark® transmitters incorporate interchangeable components for the ultimate in design flexibility. This means a product tailored to your needs without the high price and long lead times associated with custom manufacturing. If you have a need and don't see the features you require, please ask us!

### SERIES M



### SERIES MPT

