

Series V4000

Series V4000 vacuum switches convert a negative pressure signal to an electrical output. In response to a change in negative pressure, movement of an elastomeric diaphragm opens or closes an electrical circuit based on a predetermined pressure set point. The Series V4000 features cost effective, snap-acting electrical switches and field adjustable set points. Vacuum ranges from -2.5" (-600 Pa) Water Column (W.C.) to -10.75 PSI (-75 kPa) are available. Consult factory for vacuum levels outside listed ranges. Series V4000 switches assure control stability through wide and variable temperature and humidity conditions and assure uninterrupted service under extreme shock and vibration. As with all Tecmark® products, series V4000 switches provide superior performance and 100,000 cycle life under full mechanical, electrical and thermal loads.

TYPICAL APPLICATIONS:

Commonly used as an interlock device to sense gas, air or water pressure at a specific point, Series V4000 switches provide on/off control of:

- Electric or gas heaters
- Pumps
- Small air compressors
- Electric strip heaters in VAV systems
- Waste oil heating systems
- Residential boilers
- Other electrical equipment in pneumatic or fluid flow systems

BASIC CONSTRUCTION:

- Elastomeric diaphragm eliminates the need for an oil barrier
- Field adjustable pressure set points. Factory calibration available upon request
- Built in over pressure protection designed to eliminate stress on other critical operating components
- UL Recognized, Canadian and United States, as an operating, limit or safety control
- Available with CE approved electrical snap switches

AVAILABLE FEATURES:

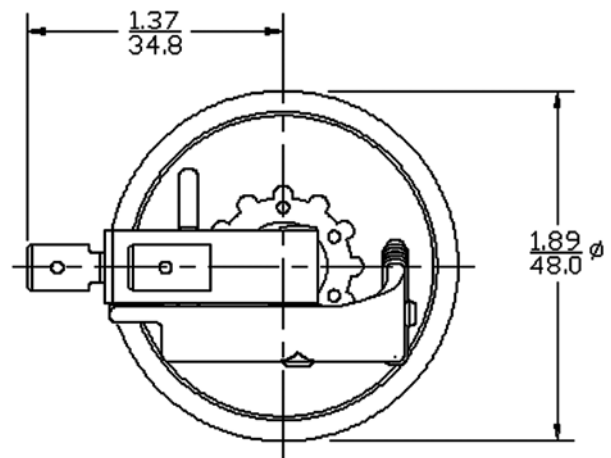
- Vacuum ranges from -2.5" WC to -10.75 PSI (-600 Pa to -75 kPa)
- SPST or SPDT switching logic
- 1/4" male quick connect for electrical connections
- A variety of mounting pan and pressure fitting materials; stainless steel, injection molded plastic and plated steel
- Wide array of pressure fittings; 1/8" NPT male, 1/4" NPT male, 3/16" barbed, 1/8", 3/16" or 1/4" compression, or 1/8" NPT female with 1/2" conduit male external thread for mounting
- Optional vacuum set point locking mechanism
- Specialty diaphragm materials; Buna-N, EPDM, Hydrin

RATINGS AND SPECIFICATIONS:

- Maximum Operating Pressure and Hydrostatic burst pressure, varies based on model configurations. Consult factory for specific application needs.
- Electrical ratings to 25 amp, 250 VAC.
- Field tested critical components specifically selected to operate reliably in temperature extremes of 32° to 190° F (0°C to 88°C).
- 100,000+ cycle life under full mechanical, electrical and thermal loads.

DESIGN FLEXIBILITY:

Tecmark's manufacturing philosophy is unique. In an effort to provide you with a product that is most suited to your application, Series V4000 switches incorporate numerous interchangeable components for the ultimate in design flexibility. This means a product tailored to your needs without the high price and long lead times associated with custom manufacturing. If you have a need and don't see the features you require, please ask us!



SERIES V4000

