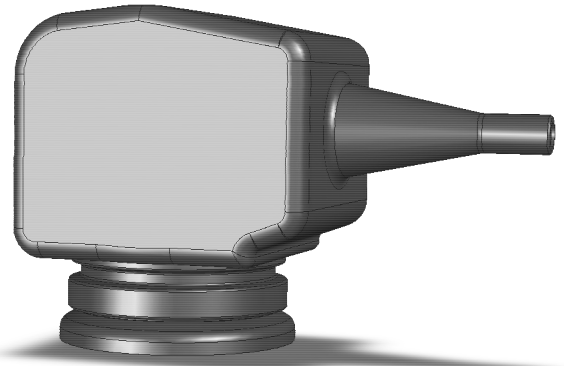
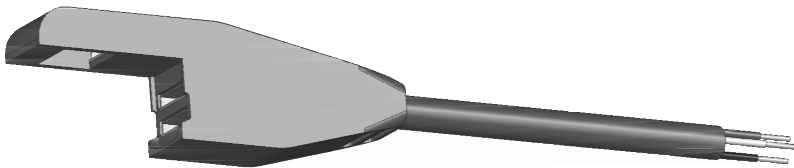


- Bright Yellow Protective Foot Shroud prevents accidental actuation.



- Pressure Switch Boot Cover for Series 3000, 4000 and 3900.

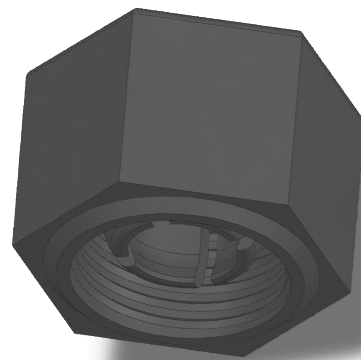


- Miniature Snap Switch Cable/Boot Harness provides isolated electrical connection.



TUBING

- 1/16" I.D. PVC
- 1/8" I.D. PVC
- Various materials available (consult factory)
- Up to 1000' rolls



- Air switch Strain Relief Nuts secure 1/8" I.D. tubing to Tecmark® air switch and M-series Air Transmitter.